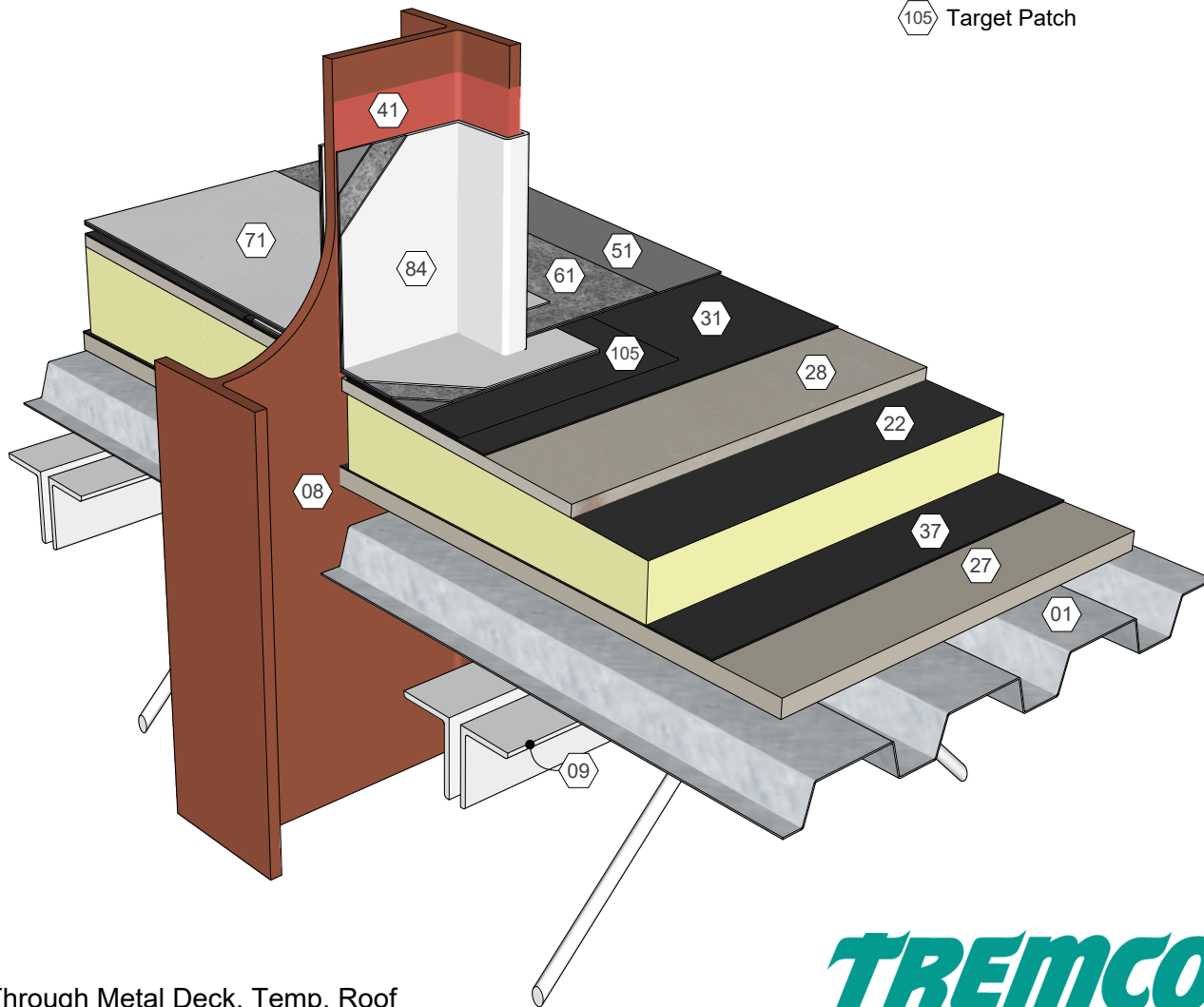
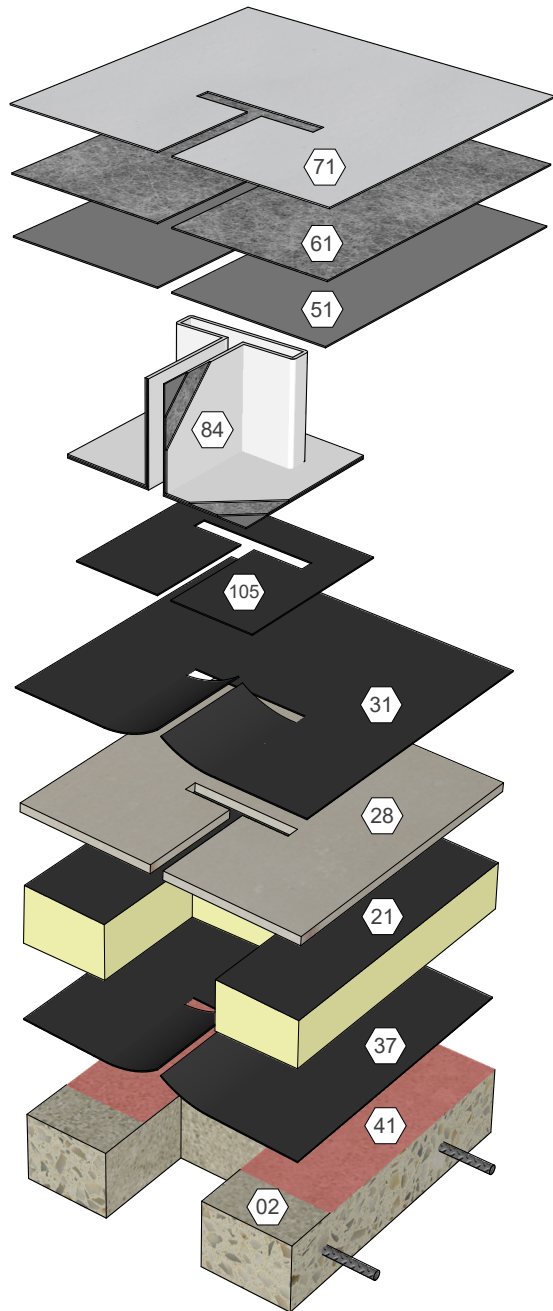


KEY NOTES

- | | | |
|--|----------------------------------|-------------------------------------|
| 01 Metal Deck | 27 Substrate Board (Fastened) | 41 Approved Primer |
| 08 Structural Member | 28 Cover Board (Adhered) | 51 AlphaGuard MT/MTS Base Coat |
| 09 Roof Structure | 31 Approved Base Ply Sheet | 61 AlphaGuard Glass Mat or Permafab |
| 22 Polyisocyanurate Insulation (Fastened or Adhered) | 37 Approved Base Sheet (Adhered) | 71 AlphaGuard MT/MTS Top Coat |
| | | 84 AlphaGuard Flashing |
| | | 105 Target Patch |

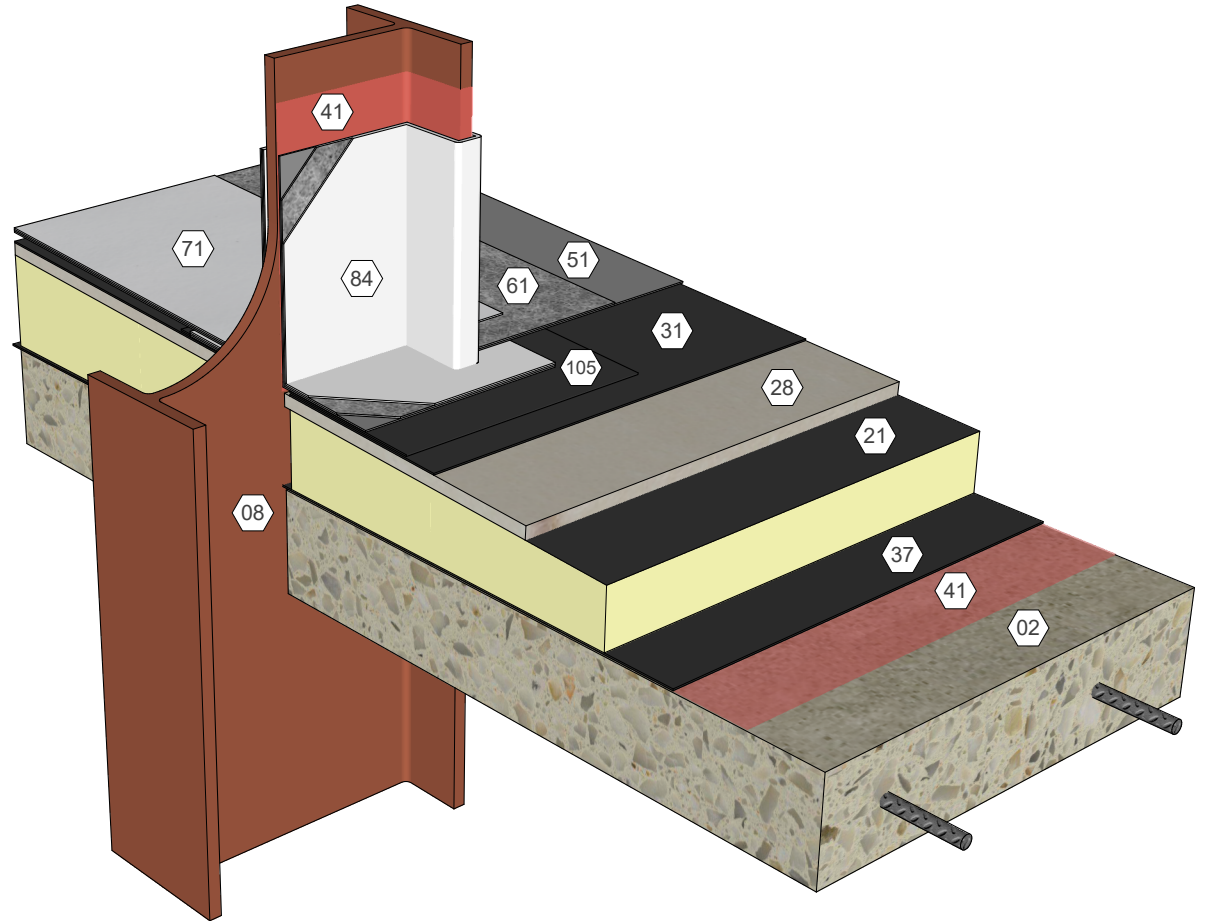


AlphaGuard® MT/MTS Plus Structural Member Through Metal Deck, Temp. Roof
Detail 32141

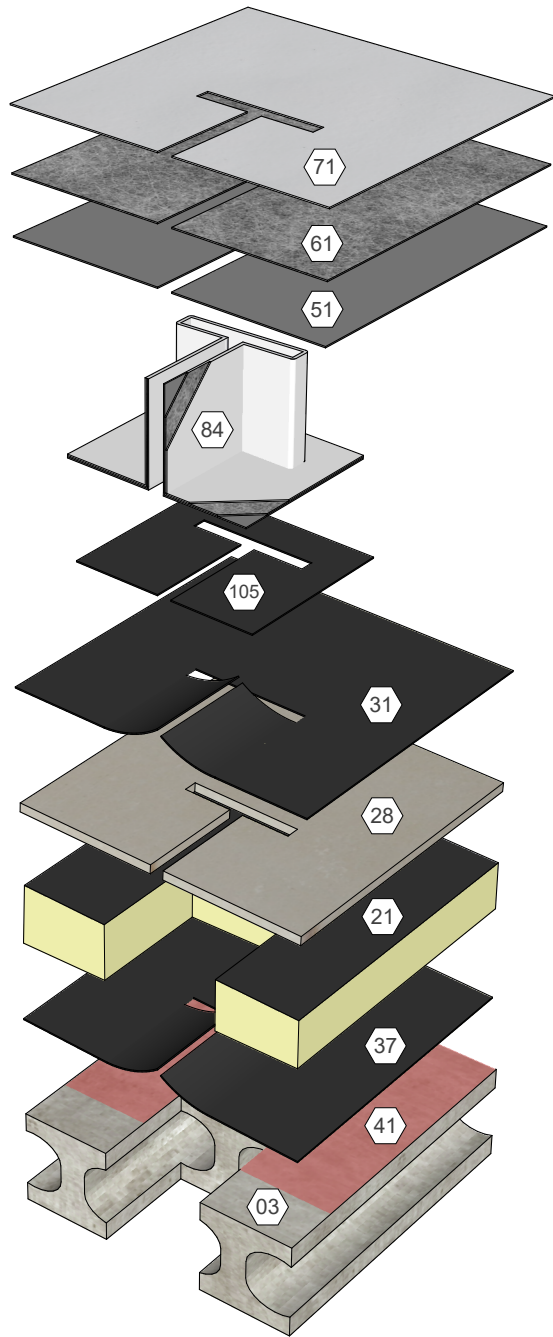


KEY NOTES

- | | | |
|--|----------------------------------|-------------------------------------|
| 02 Structural Concrete Deck | 31 Approved Base Ply Sheet | 61 AlphaGuard Glass Mat or Permafab |
| 08 Structural Member | 37 Approved Base Sheet (Adhered) | 71 AlphaGuard MT/MTS Top Coat |
| 21 Polyisocyanurate Insulation (Adhered) | 41 Approved Primer | 84 AlphaGuard Flashing |
| 28 Cover Board (Adhered) | 51 AlphaGuard MT/MTS Base Coat | 105 Target Patch |

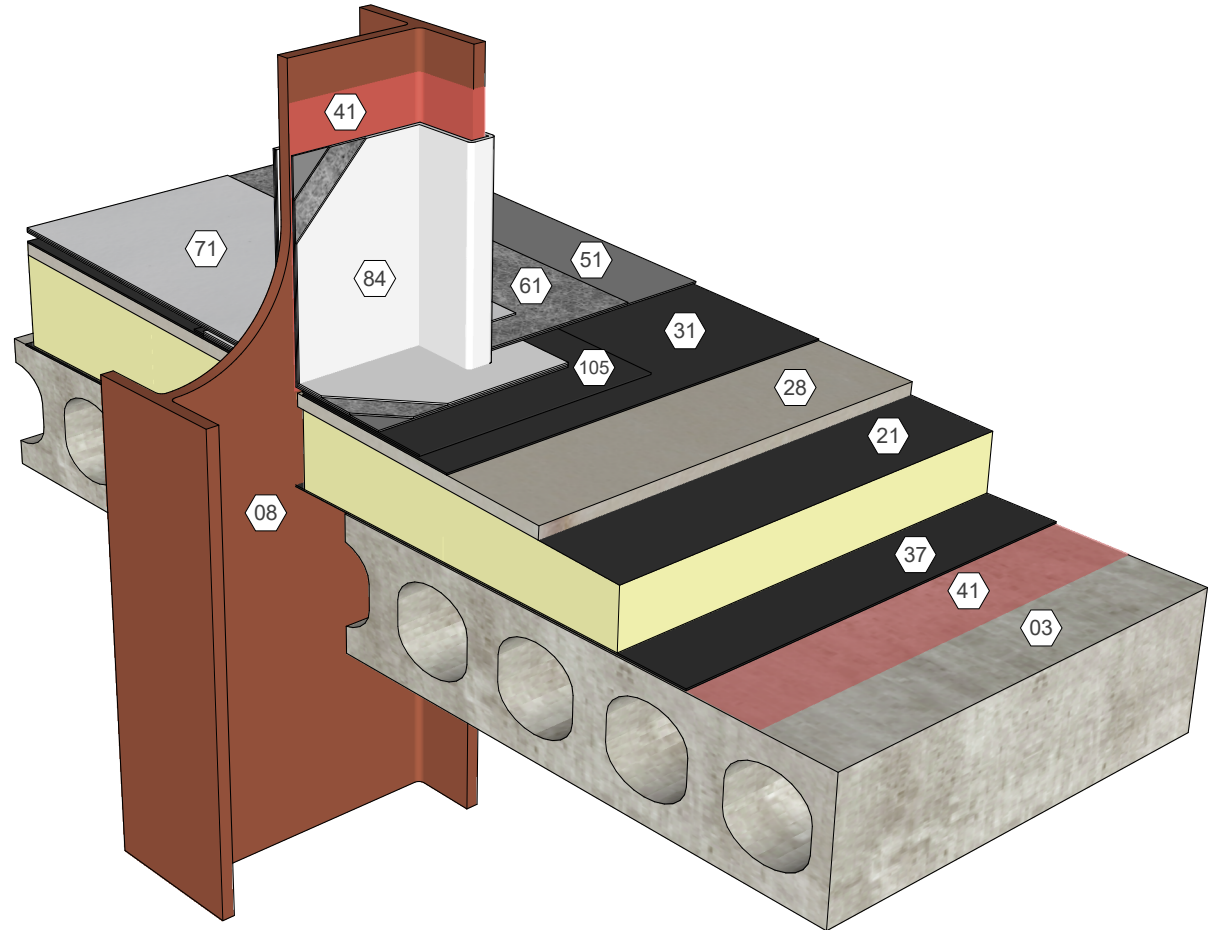


AlphaGuard® MT/MTS Plus Structural Member Through Structural Concrete Deck, Temp. Roof
Detail 32142

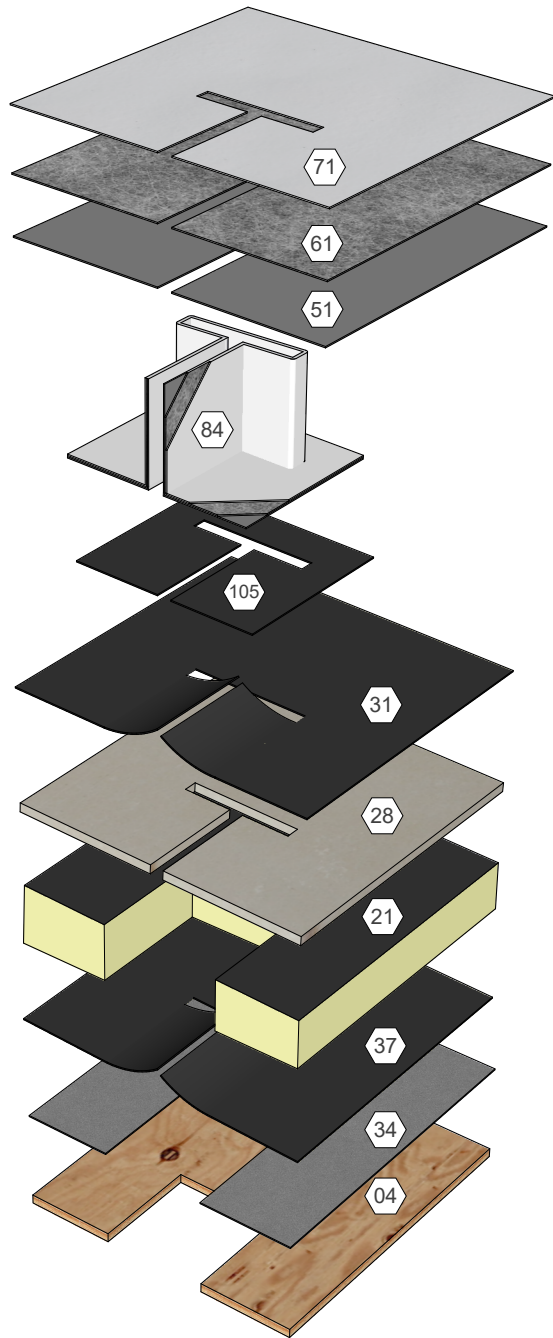


KEY NOTES

- | | | |
|---|-----------------------------------|--------------------------------------|
| 03) Precast Concrete Deck | 31) Approved Base Ply Sheet | 61) AlphaGuard Glass Mat or Permafab |
| 08) Structural Member | 37) Approved Base Sheet (Adhered) | 71) AlphaGuard MT/MTS Top Coat |
| 21) Polyisocyanurate Insulation (Adhered) | 41) Approved Primer | 84) AlphaGuard Flashing |
| 28) Cover Board (Adhered) | 51) AlphaGuard MT/MTS Base Coat | 105) Target Patch |

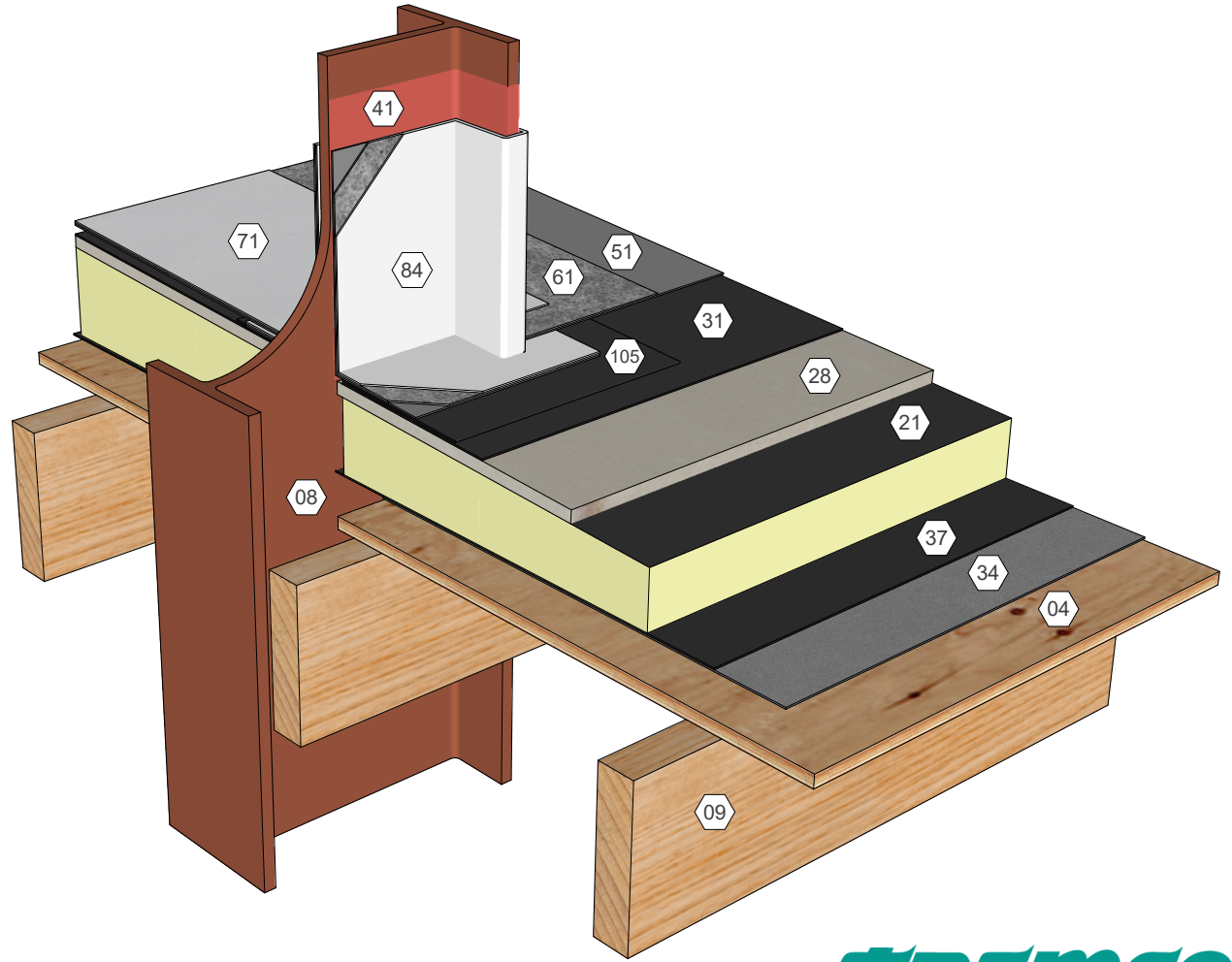


AlphaGuard® MT/MTS Plus Structural Member Through Precast Concrete Deck, Temp. Roof
Detail 32143



KEY NOTES

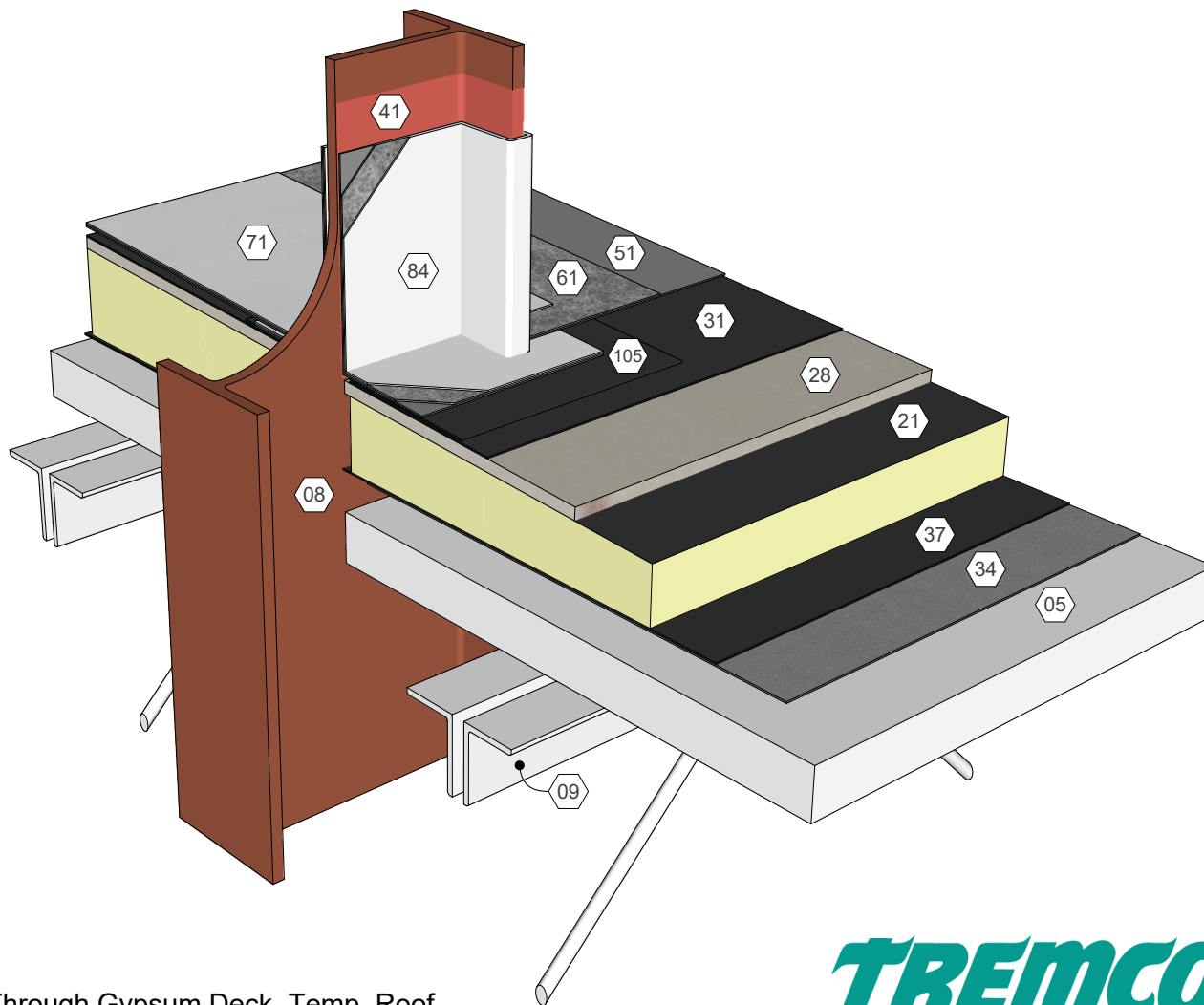
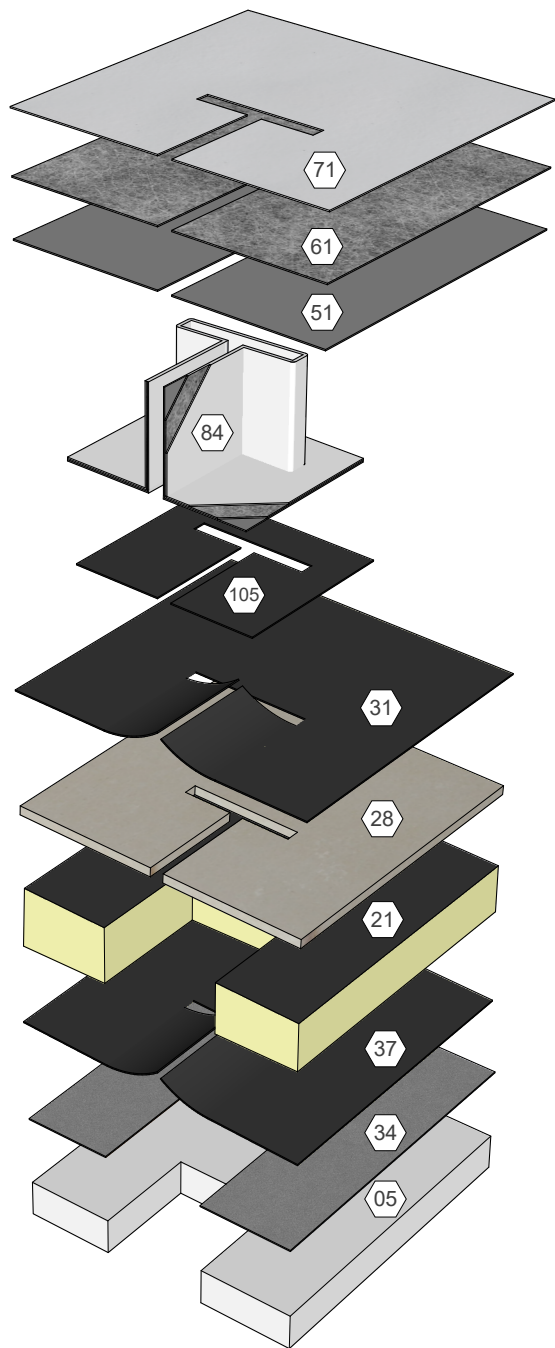
- | | | |
|---|-----------------------------------|--------------------------------------|
| 04) Wood Deck | 28) Cover Board (Adhered) | 51) AlphaGuard MT/MTS Base Coat |
| 08) Structural Member | 31) Approved Base Ply Sheet | 61) AlphaGuard Glass Mat or Permafab |
| 09) Roof Structure | 34) Base Sheet (Fastened) | 71) AlphaGuard MT/MTS Top Coat |
| 21) Polyisocyanurate Insulation (Adhered) | 37) Approved Base Sheet (Adhered) | 84) AlphaGuard Flashing |
| | 41) Approved Primer | 105) Target Patch |



AlphaGuard® MT/MTS Plus Structural Member Through Wood Deck, Temp. Roof
Detail 32144

KEY NOTES

- | | | |
|---|-----------------------------------|--------------------------------------|
| 05) Gypsum Deck | 28) Cover Board (Adhered) | 51) AlphaGuard MT/MTS Base Coat |
| 08) Structural Member | 31) Approved Base Ply Sheet | 61) AlphaGuard Glass Mat or Permafab |
| 09) Roof Structure | 34) Base Sheet (Fastened) | 71) AlphaGuard MT/MTS Top Coat |
| 21) Polyisocyanurate Insulation (Adhered) | 37) Approved Base Sheet (Adhered) | 84) AlphaGuard Flashing |
| | 41) Approved Primer | 105) Target Patch |



AlphaGuard® MT/MTS Plus Structural Member Through Gypsum Deck, Temp. Roof
Detail 32145